

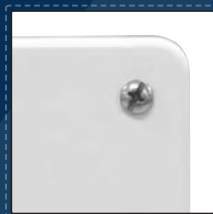
## AM Series PUSHBUTTON ENCLOSURES

### Cover Type

Flat Solid/Opaque

### Closure Type

Multi-Hole Hinged Screw Cover



### Application

Designed to insulate and house pushbuttons and switches in applications that require a human-machine interface

- Especially well suited for high temperature or corrosive environments
- Protects from dirt, dust, oil and water
- For use with industrial control equipment

### Standards

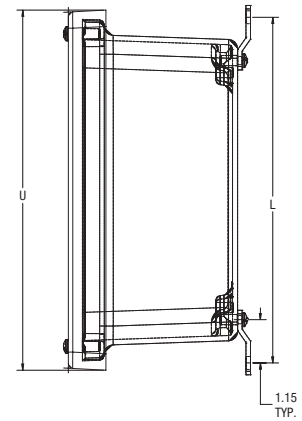
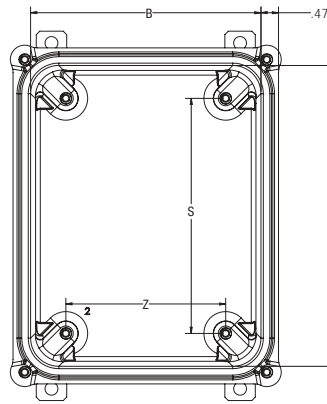
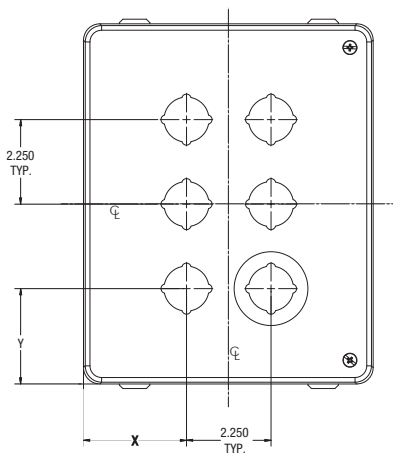
- UL 50 and UL 50E Types 1, 2, 3, 3R, 4, 4X, 12 and 13
- CSA C22.2 No. 94 Types 1, 2, 3, 3R, 4, 4X, 12 and 13
- Complies with:
  - NEMA Types 1, 2, 3, 3R, 4, 4X, 12 and 13
  - IEC 60529 Type IP66
  - RoHS directive

### Construction

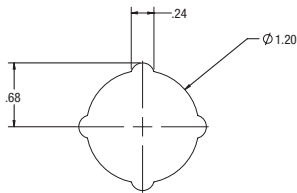
- Constructed to requirements of CSA Enc. 5 based on standard component cutout
- Strong, molded ULTRAGUARD® fiberglass reinforced polyester material construction with matching flat cover
- 316 stainless steel captive cover screws
- Formed-In-Place (FIP) polyurethane gasket system encased in continuous channel
- 316 stainless steel wall mounting feet with 10-32 threaded brass inserts for optional back panel installation
- Standard 30.5mm hole size
- UV stabilized for outdoor use

### Accessories & Modifications

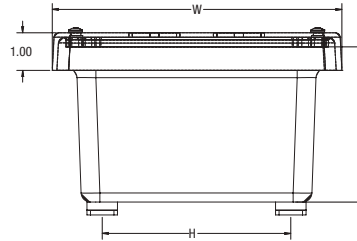
- Optional back panels
- Molded-in color matching
- EMI/RFI shielding
- Factory-supplied silk screening
- Optional 22.5mm holes (add "22" suffix to part number)



NOTE: COVER REMOVED FOR CLARITY

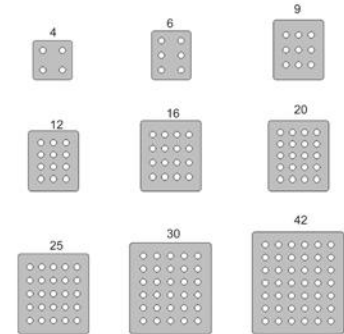


30.5 MM HOLE DETAIL  
STANDARD 4-WAY  
(OPTIONAL 22.5MM HOLES AVAILABLE)



NOMINAL 1/8" WALL THICKNESS

### Pushbutton Arrangements



Note: To order product with 22.5mm holes, please add "22" suffix to part number (e.g., AM664HP422) and contact customer service for lead times.

Part No.	Box Size			Usable Depth F	Panel Boss Centers		Panel Sizes		Foot Mount Centers H L	Cover Size		No. of Holes	X Y			
	A	B	C		S	Z	Ht.	Wid.		P/N	U		W			
AM664HP4	6.10	6.10	4.18	3.76	4.25	4.25	4.81	4.81	PL66 PLA66	5.01	7.32	7.69	7.69	4	2.72	2.72
	155mm	155mm	106mm	95mm	108mm	108mm	122mm	122mm		127mm	186mm	195mm	195mm		69mm	69mm
AM864HP6	8.00	6.13	4.14	3.71	6.25	4.25	6.75	4.88	PL86 PLA86	5.02	9.20	9.59	7.71	6	2.72	2.55
	203mm	156mm	105mm	94mm	159mm	108mm	171mm	124mm		127mm	234mm	244mm	196mm		69mm	65mm
AM1084HP9	10.14	8.26	4.13	3.68	8.25	6.25	8.75	6.88	PL108 PLA108	7.01	11.19	11.73	9.90	9	2.68	3.62
	258mm	210mm	105mm	93mm	210mm	159mm	222mm	175mm		178mm	284mm	299mm	251mm		68mm	92mm
AM1086HP9	10.14	8.26	6.13	5.68	8.25	6.25	8.75	6.88	PL108 PLA108	7.01	11.19	11.73	9.85	9	2.68	3.62
	258mm	210mm	156mm	144mm	210mm	159mm	222mm	175mm		178mm	284mm	298mm	250mm		68mm	92mm
AM1086HP12	10.14	8.26	6.13	5.68	8.25	6.25	8.75	6.88	PL108 PLA108	7.01	11.19	11.73	9.85	12	2.68	2.49
	258mm	210mm	156mm	144mm	210mm	159mm	222mm	175mm		178mm	284mm	298mm	250mm		68mm	63mm
AM1206HP16	12.14	10.26	6.13	5.68	10.25	8.25	10.75	8.88	PL120 PLA120	9.03	13.19	13.73	11.85	16	2.55	3.49
	308mm	261mm	156mm	144mm	260mm	210mm	273mm	225mm		229mm	335mm	349mm	301mm		65mm	89mm
AM1206HP20	12.14	10.26	6.13	5.68	10.25	8.25	10.75	8.88	PL120 PLA120	9.03	13.19	13.73	11.85	20	2.55	2.37
	308mm	261mm	156mm	144mm	260mm	210mm	273mm	225mm		229mm	335mm	349mm	301mm		65mm	60mm
AM1426HP25	14.14	12.26	6.13	5.71	12.25	10.25	12.75	10.88	PL142 PLA142	11.03	15.19	15.73	13.85	25	2.43	3.37
	359mm	312mm	156mm	145mm	311mm	260mm	324mm	276mm		280mm	386mm	399mm	352mm		62mm	86mm
AM1648HP30	16.27	14.40	8.13	7.68	14.25	12.25	14.75	12.88	P164 PA164	13.01	17.19	17.87	15.99	30	3.50	3.31
	413mm	366mm	207mm	195mm	362mm	311mm	375mm	327mm		330mm	437mm	454mm	406mm		89mm	84mm
AM1868HP42	18.40	16.40	8.13	7.69	16.25	14.25	16.88	14.88	P186 PA186	14.97	19.28	20.00	18.00	42	3.38	3.25
	467mm	417mm	207mm	195mm	413mm	362mm	429mm	378mm		380mm	490mm	508mm	457mm		86mm	83mm

All dimensions are in inches unless otherwise noted

Enclosure base part numbers come standard with 4 separately bagged feet (ex. AM664HP4)

Additional back panels found on page 128

Data subject to change without notice

