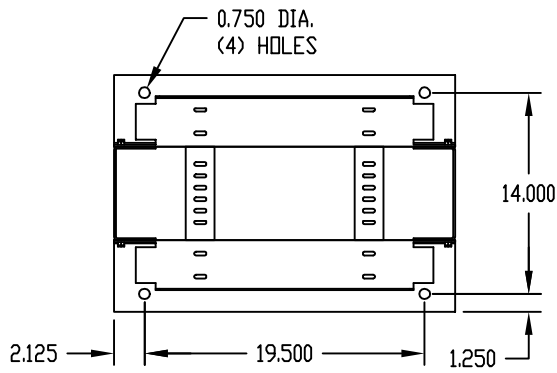


PART
NAME

CABLE MANAGEMENT RACK

PART
No.

CMR-8040

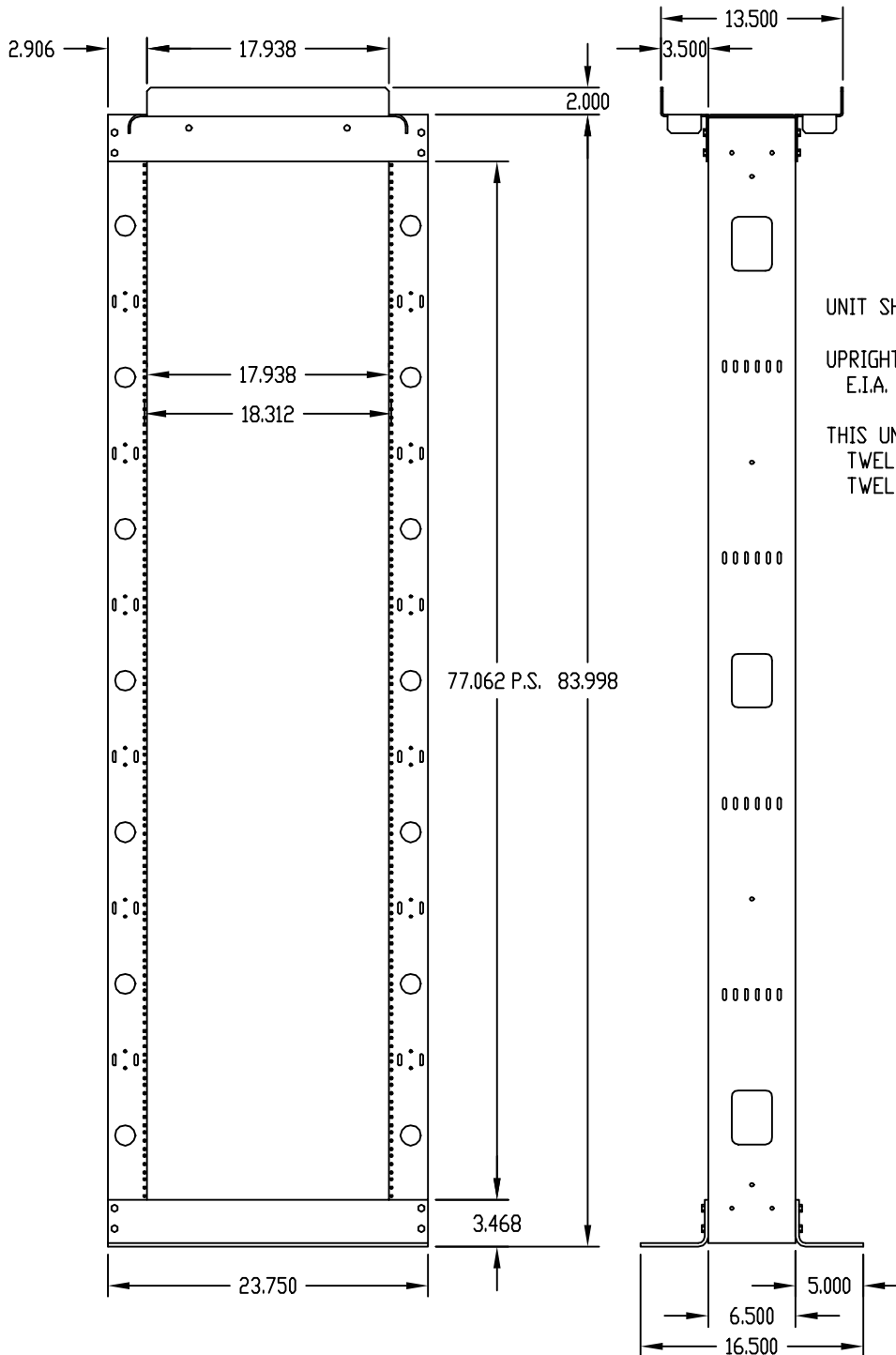


MATERIAL:

BASE ANGLES _____ 1/4 THK. ALUMINUM
 UPRIGHTS, TOP ANGLES
 AND SUPPORT BARS _____ 1/8 THK. ALUMINUM
 CABLE CLIP BRACKETS _____ 16 GA. SPRING STEEL

FINISH:

ALL PARTS (EXC CABLE CLIPS) _____ BLACK TEXTURE
 CABLE CLIP BRACKETS _____ SMOOTH BLACK



UNIT SHIPPED KNOCKED DOWN

UPRIGHTS ARE TAPPED #12-24 DN
E.I.A. UNIVERSAL SPACING

THIS UNIT SUPPLIED WITH:
TWELVE (12) CABLE CLIP BRKTS.
TWELVE (12) VELCRO STRAPS