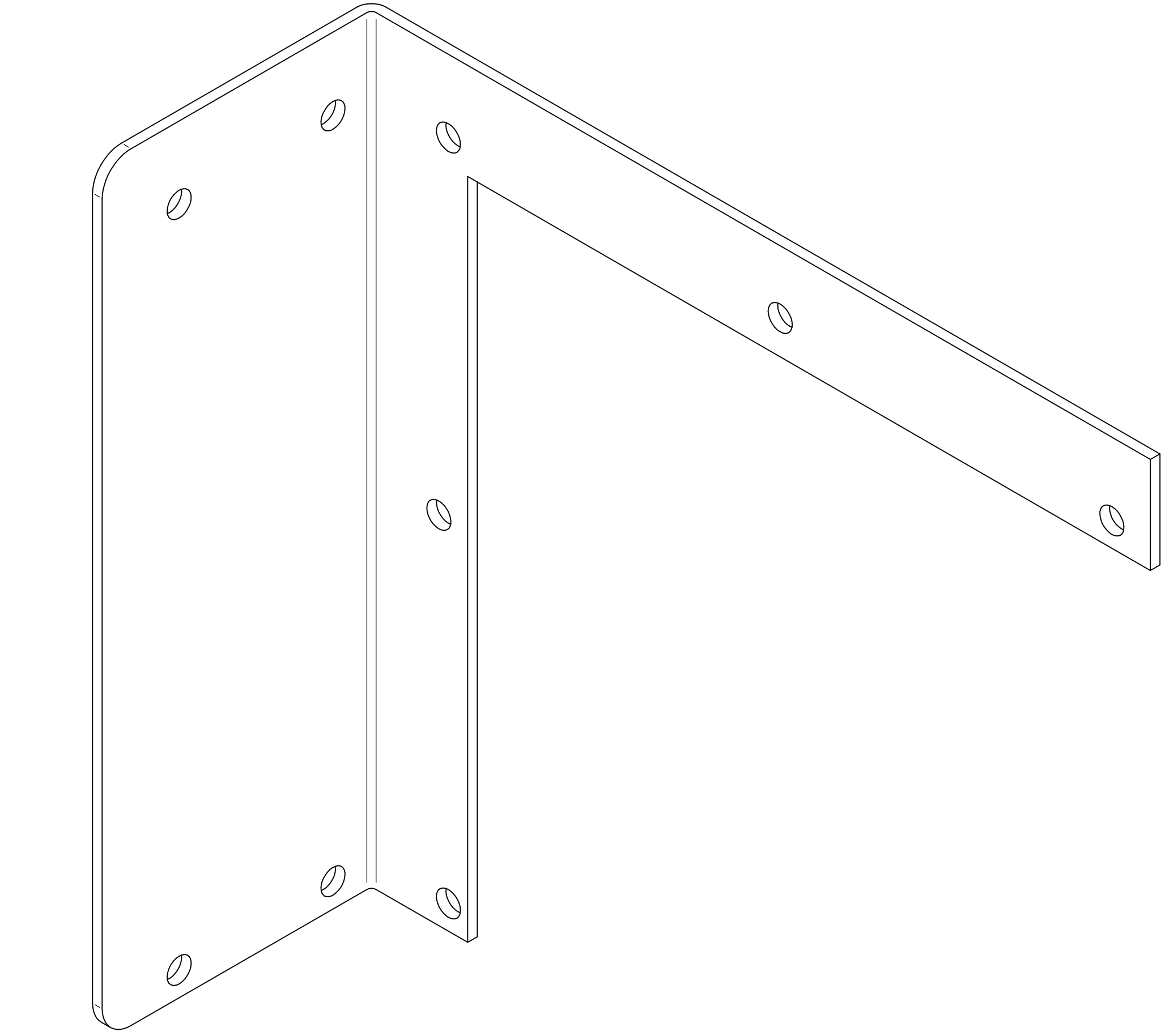
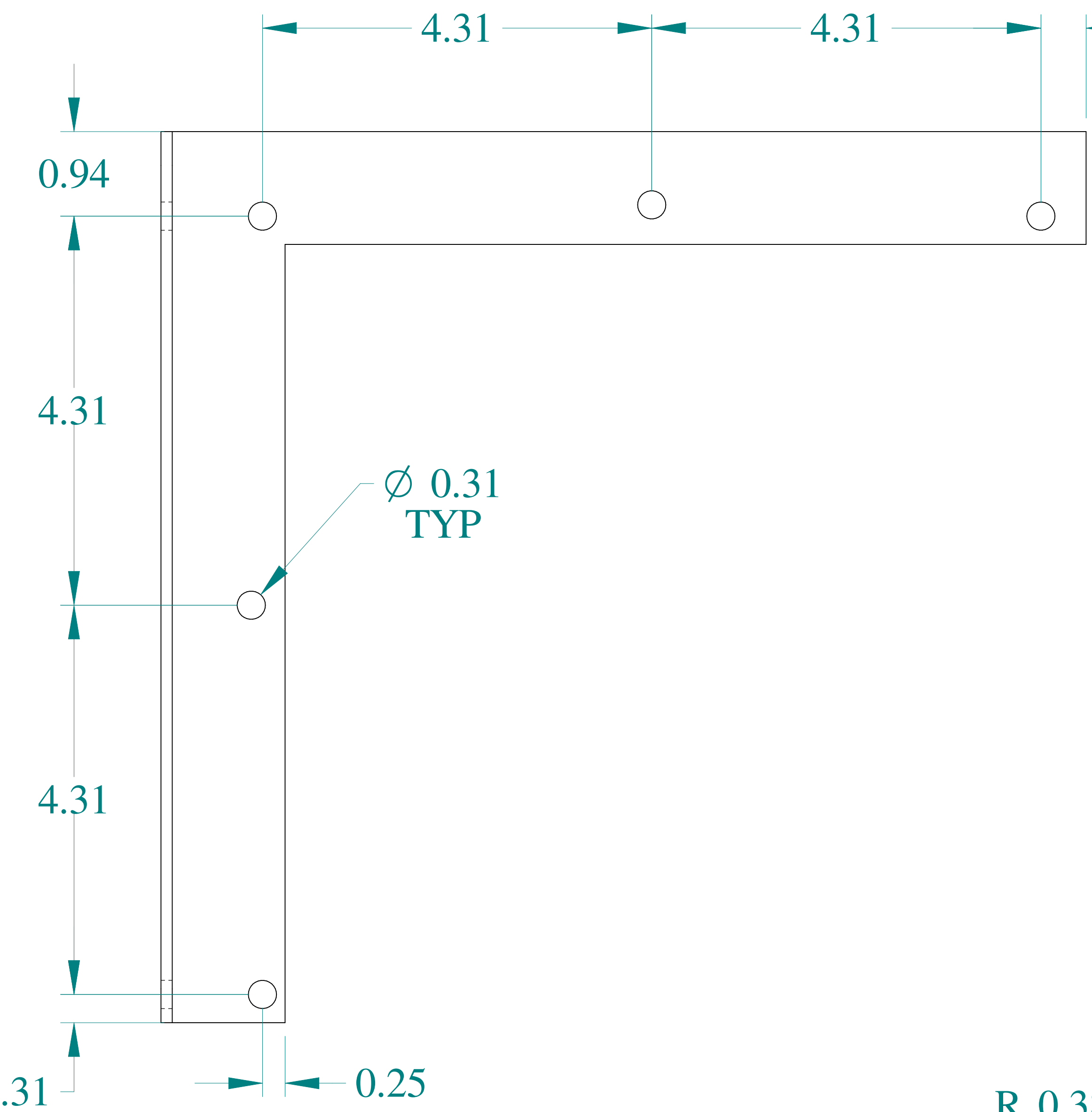


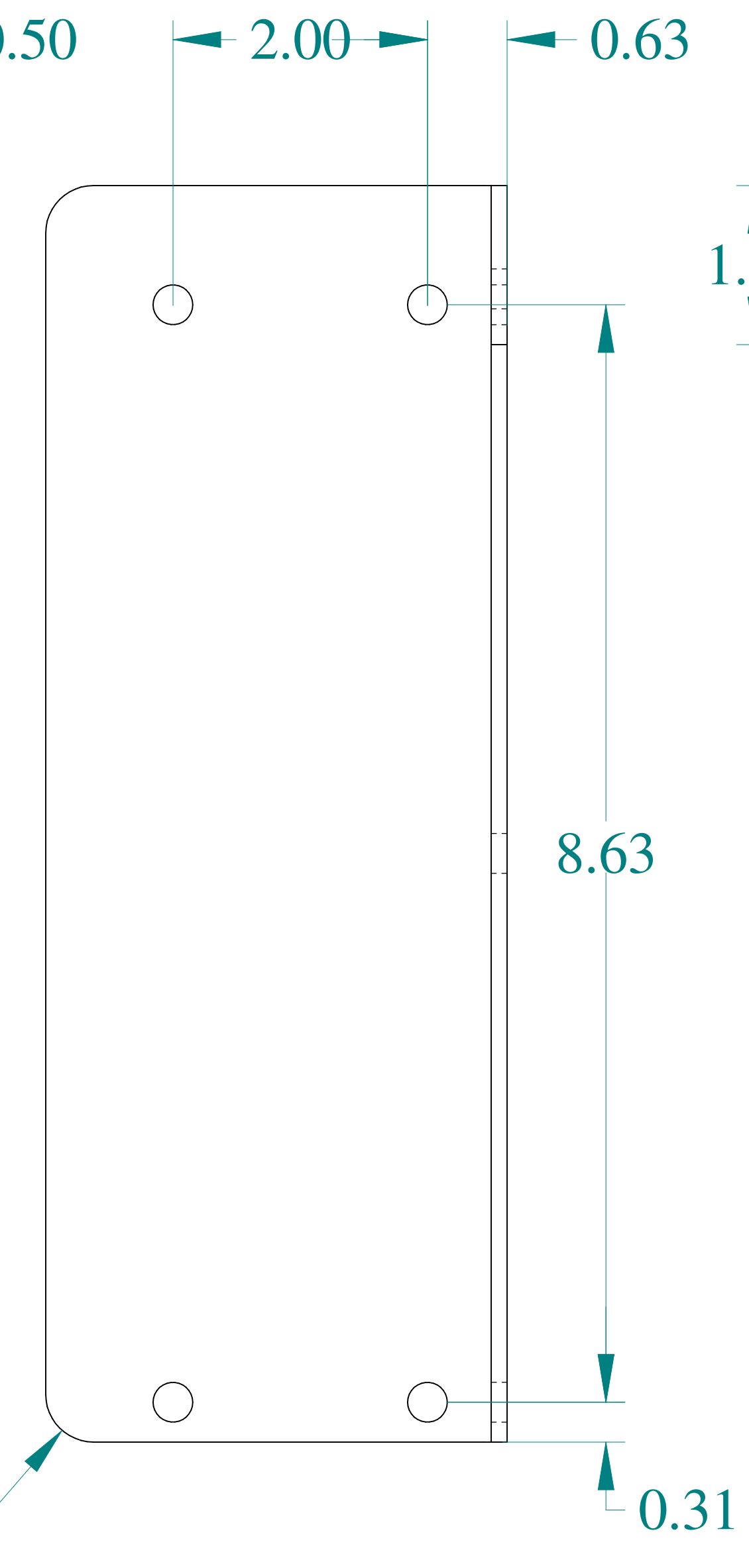
TOP VIEW



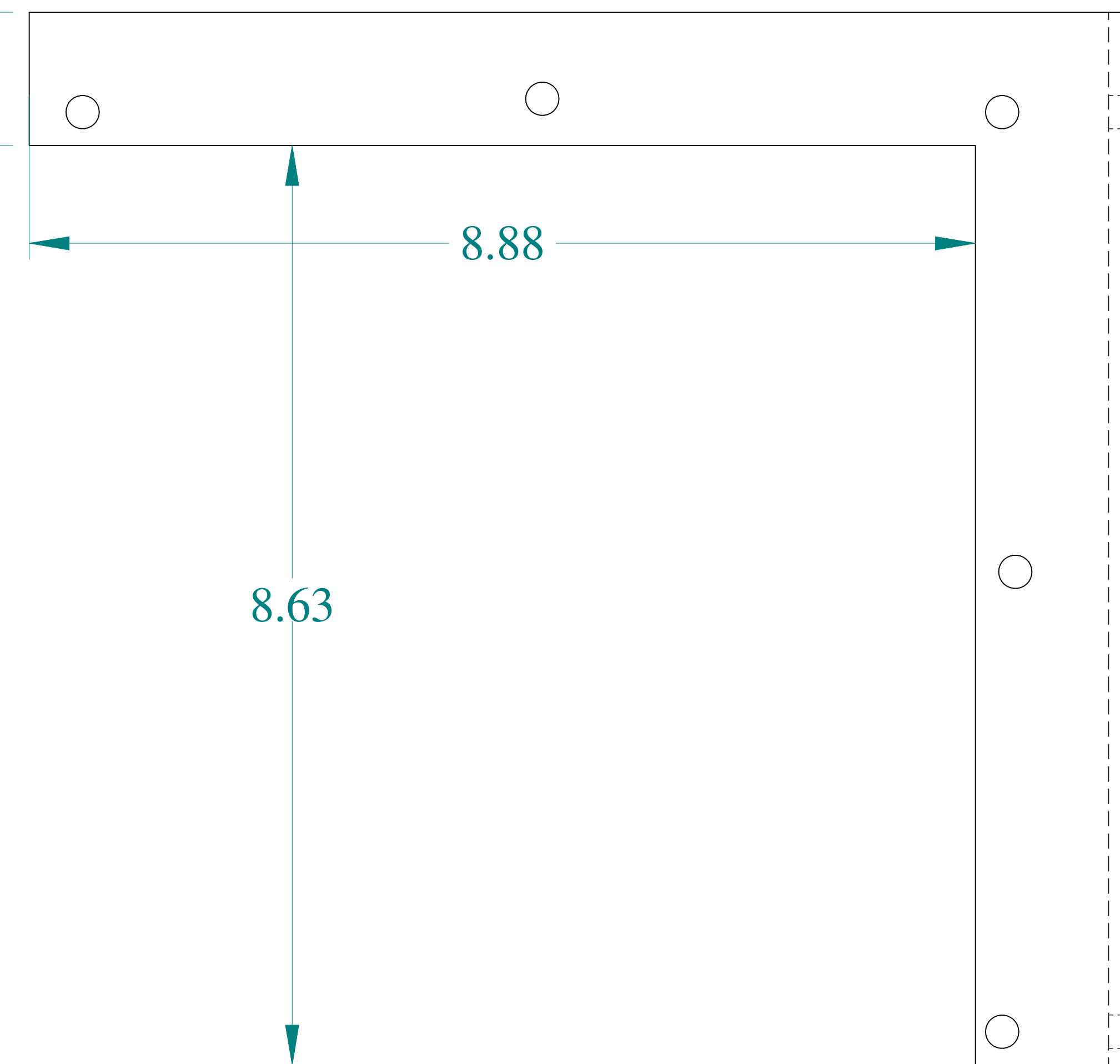
ISOMETRIC VIEWS



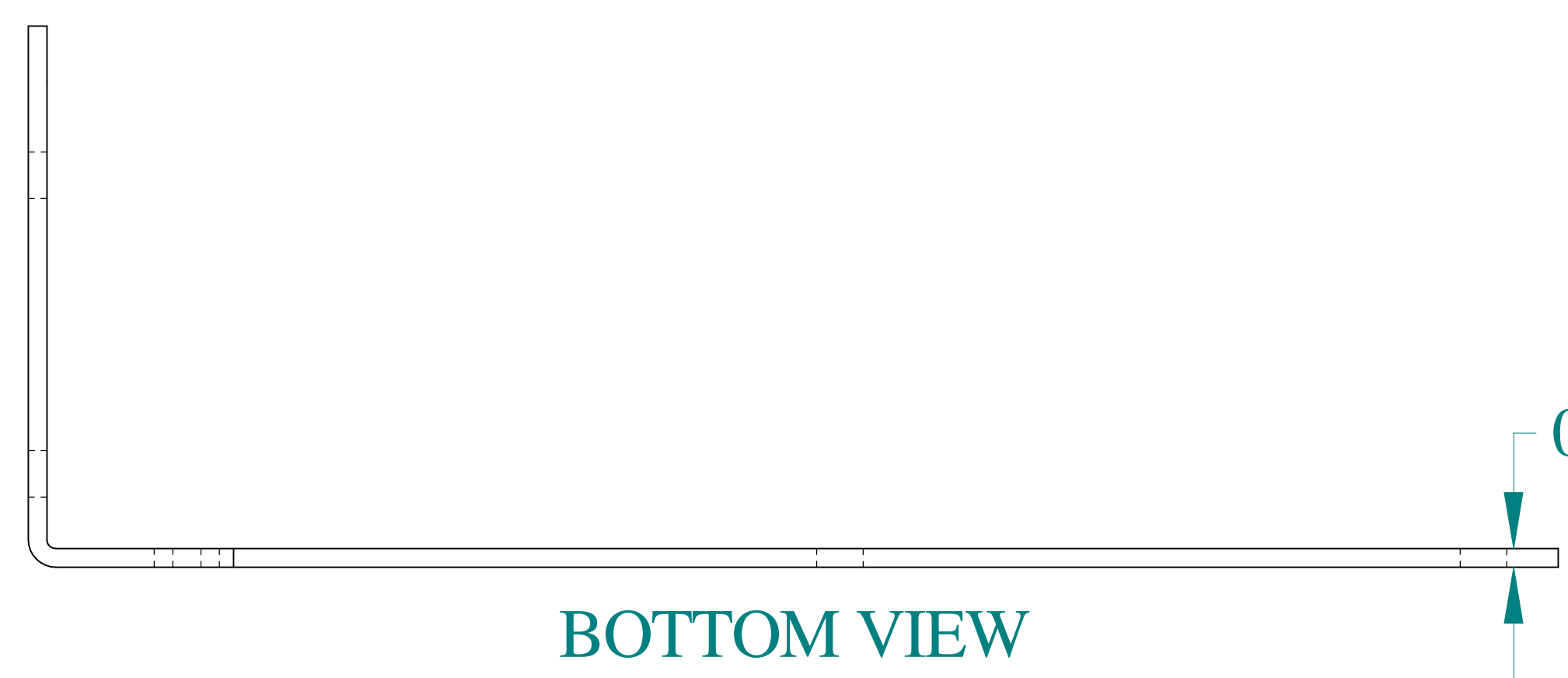
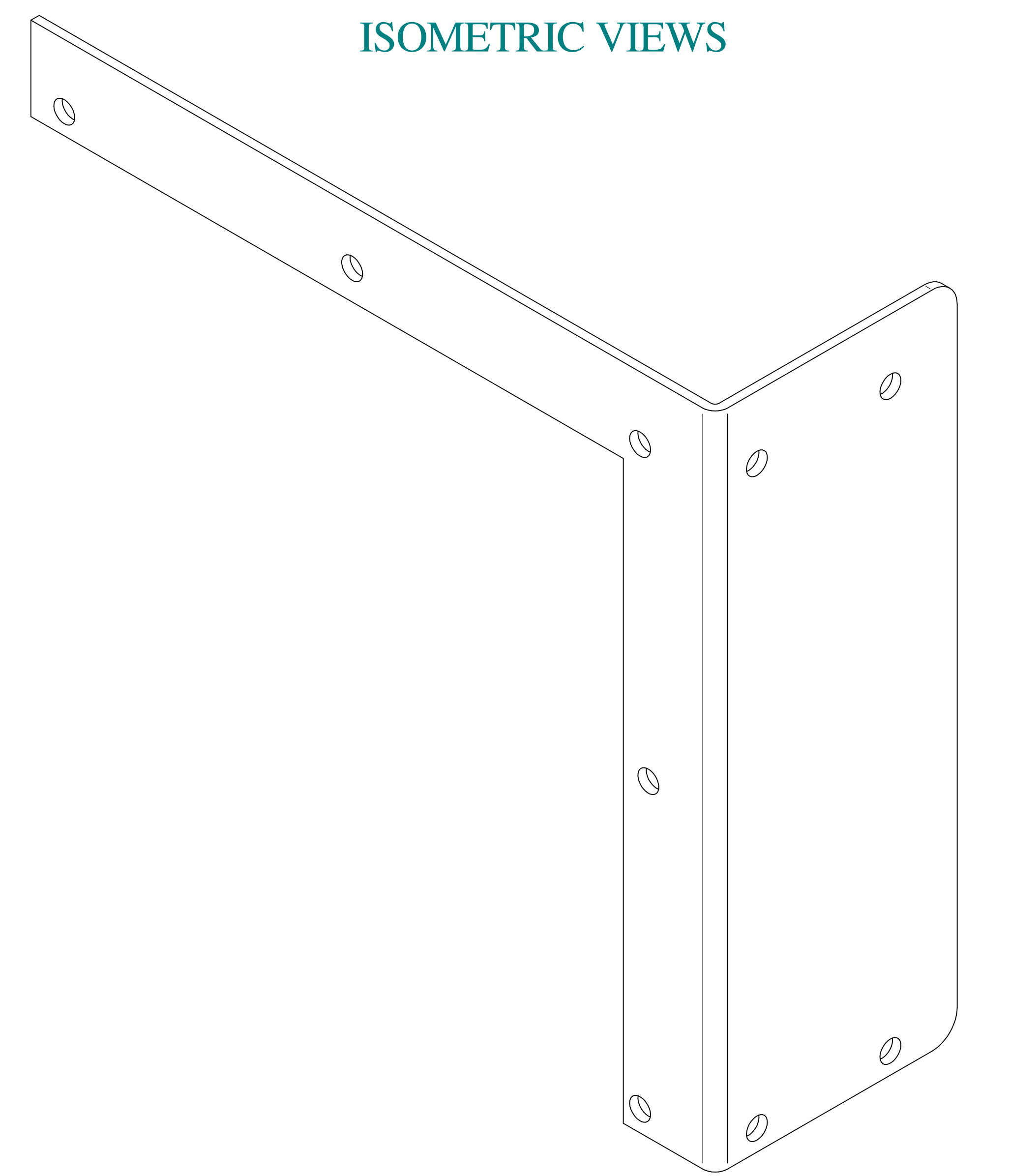
FRONT VIEW



SIDE VIEW



BACK VIEW



BOTTOM VIEW

**M** **HAMMOND**  
**W** **MANUFACTURING®**  
[www.hammondmfg.com](http://www.hammondmfg.com)

Data subject to change without notice.

Part #: 1485EL2 Date: Mar. 24, 2019

[Link:www.hammondmfg.com/1485EL2](http://www.hammondmfg.com/1485EL2)