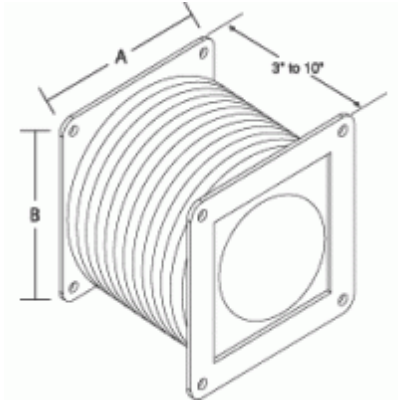




*Quality Products. Service Excellence.*

## Flexible Fitting *1485FF Series*



- Allows for easy alignment of sections or fittings
- Metal flanges
- Flexible synthetic "bellows" middle section

Part No.	Size
1485BFF	2.5 x 2.5
1485CFF	4 x 4
1485DFF	6 x 6
1485EFF	8 x 8



*Data subject to change without notice*

© 2020. Hammond Manufacturing Ltd. All rights reserved.