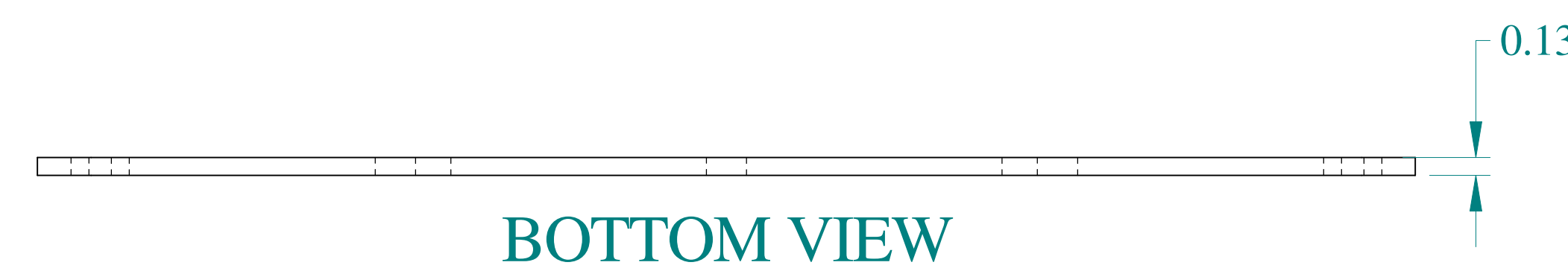
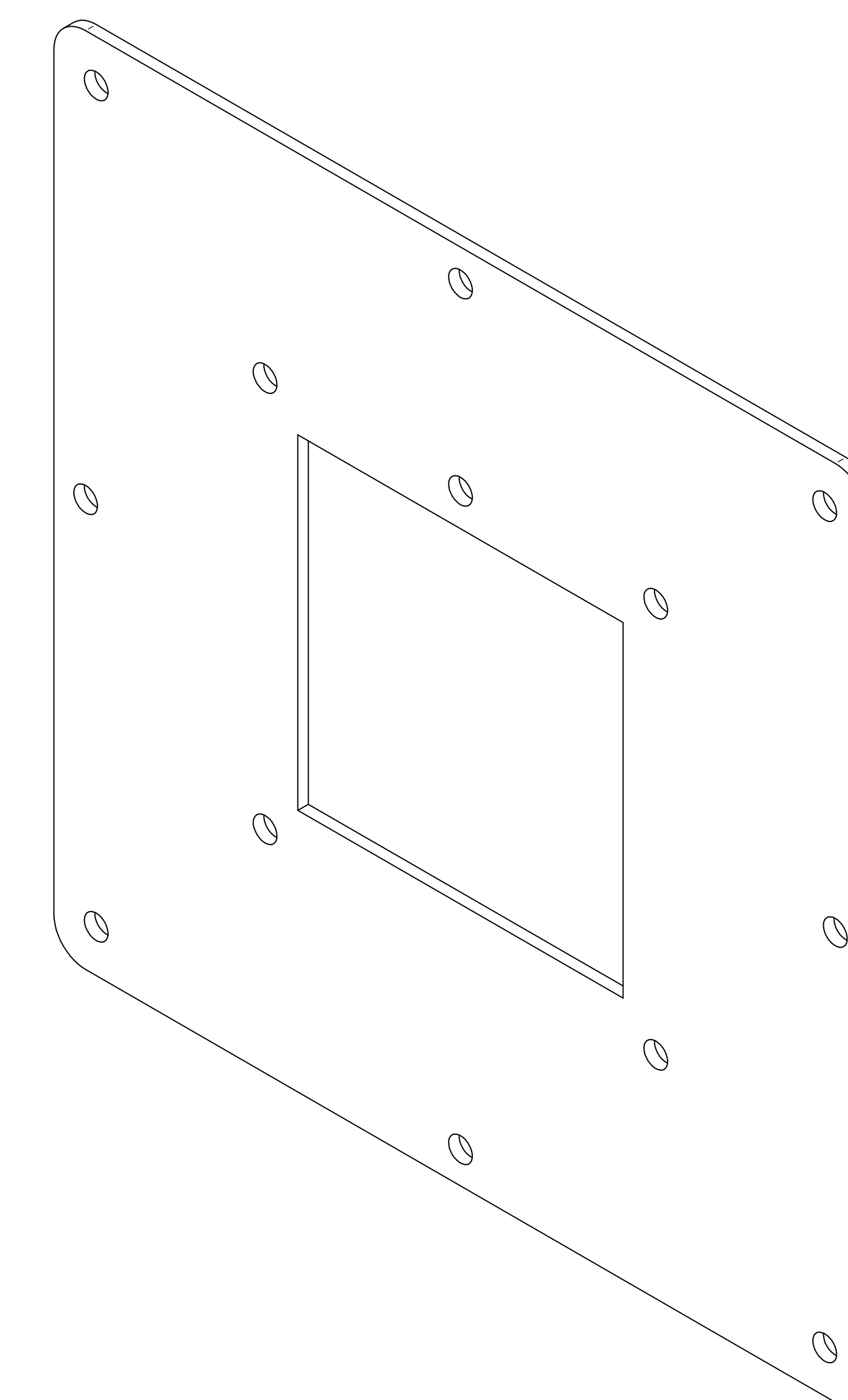


**ISOMETRIC VIEWS**



Data subject to change without notice.

Part # : 1487ERCC Date : Mar. 23, 2019

Link: [www.hamdfg.com/1487ERCC](http://www.hamdfg.com/1487ERCC)