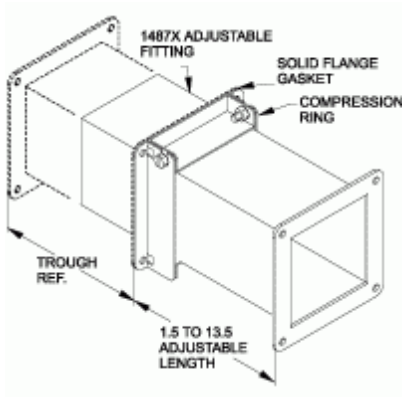




*Quality Products. Service Excellence.*

## Adjustable Fitting *1487X Series*



- Allows on site length adjustment of 1.5" to 13.5"

Part No.	Size
1487BX	2.5 x 2.5
1487CX	4 x 4
1487DX	6 x 6
1487EX	8 x 8

Does not meet CSA or UL requirements

*Data subject to change without notice*



© 2020. Hammond Manufacturing Ltd. All rights reserved.