



Product designation	Switch disconnecter		
Product type designation	GL		
Number of poles	nr.	3	
Operating voltage type		AC	
Electrical features			
Conventional free air thermal current I _{th}	A	200	
Rated insulation voltage U _i	V	1000	
Rated impulse withstand voltage U _{imp}	kV	12	
Operating current			
	AC21A 400V	A	200
	AC21A 500V	A	200
	AC21A 690V	A	200
	AC22A 400V	A	200
	AC22A 500V	A	200
	AC22A 690V	A	200
	AC23A 400V	A	200
	AC23A 500V	A	200
	AC23A 690V	A	200
Power dissipation per pole max	W	4	
Rated operational power AC23A			
	400V	kW	110
	690V	kW	200
Rated short time current (1s) I _{cw} (rms)	A	8000	
Conditional short-circuit current (rms)	kA	100	
Short circuit protection with fuse		J/200	
Making capacity AC23A 400V	A	2000	
Breaking capacity AC23A 400V	A	1600	
Minimum enclosure dimensions at rated current		400 x 250 x 150	
Operations			
Mechanical life	Cycles	20000	
Ambient conditions			
Operating temperature			
	min	°C	-25
	max	°C	55
Storage temperature			
	min	°C	-40
	max	°C	70
Max altitude	m	3000	
Mechanical features			
Operating position			
	normal allowable	Vertical plan	
		Any	
Mounting		Screw / DIN rail	
		35mm	

Terminals

type	Bar
screw	M8

Tightening torque for terminals

min	Nm	15
max	Nm	22
min	lbft	11

Bar dimensions max 20x3

Terminal kit lugs GLX501

Frontal IP degree IP20

Pollution degree 3

UL technical data

Compliance UL98 / CSA C22.2 n°4

General purpose current rating A 200

Operating voltage max V 600

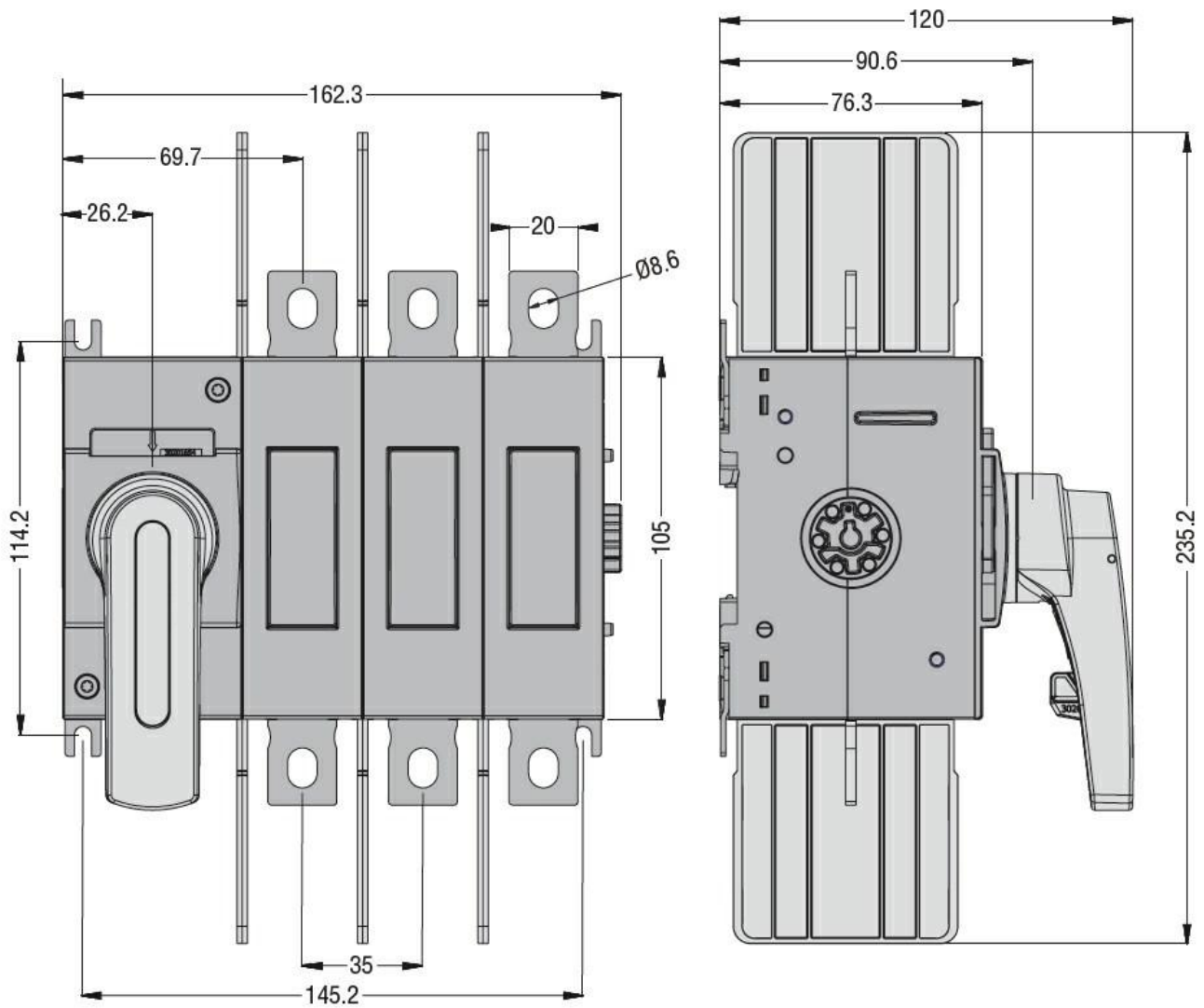
Horsepower/FLA current three phase motor

240V	75/192
480V	150/180
600V	200/192

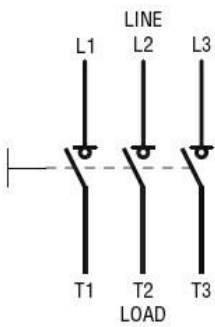
Short circuit rating kA 200

Short circuit rating with fuse J/200

Dimensions



Wiring diagrams



Certifications and compliance

Compliance

IEC/EN 60947-1
 IEC/EN 60947-3

Certifications

cULus
 EAC