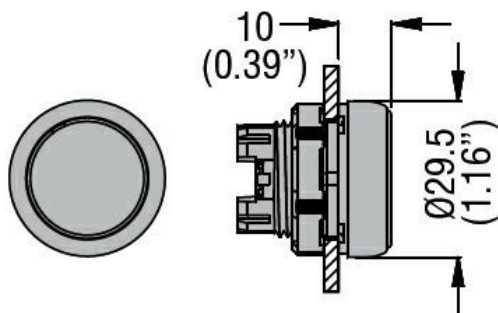




Product designation	Pushbutton actuator, spring return		
Product type designation	LPCB10		
<b>General characteristics</b>			
Colour	Red		
Material	Polyamide		
IEC degree of protection	IP66, IP67 and IP69K		
<b>Mechanical features</b>			
Operating force	kg-lb	<0.5Kg / 1.1lb	
Mechanical life - spring return actuators	cycles	5000000	
Mechanical life - Push-Push actuators	cycles	500000	
Operating position	allowable	Any	
Fixing	Flush (without mounting adapter)		
Mounting adapter	LPXAU120		
Weight	g	25	
<b>UL technical data</b>			
UL degree of protection	Type1, 2, 3R, 4, 4X, 12, 12K		
<b>Ambient conditions</b>			
Temperature	Operating temperature		
	min	°C	-25
	max	°C	+70
	Storage temperature		
	min	°C	-40
	max	°C	+85

**Dimensions**



**Certifications and compliance**

Compliance

CSA C22.2 n° 14

---

IEC/EN 60947-1

---

IEC/EN 60947-5-1

---

UL508

---

Certificates

CCC

---

cULus

---

EAC

---

RINA