

LED MULTI-FUNCTION LIGHT

PMF-LED Flex



protection system




operating temperature





Multi-function light with the brightest LED technology.

- Rotating mirror effect, extremely low power consumption.
- Highly insensitive to vibration.
- Maintenance-free service life exceeding 50,000 hrs.
- Externally selectable operating mode, one device for 4 different alarms:
 - Continuous light
 - Blinking light
 - Flashing light
 - Rotating beacon effect without susceptible mechanics
- Inexpensive and flexible; wide range power supplies as standard.
- 24 V AC/DC devices as standard with Soft Start Module.
- Can be operated directly via 24 V transistor PLC output, no additional relay control necessary.
- Long-life replacement for conventional rotating mirror lights.

PRODUCT	PMF-LED Flex			
DATA				
Rated voltage	115 V AC	230 V AC	230 V DC	24 V AC/DC
Operating range	95–253 V AC		100–350 V DC	10–60 V DC 15–40 V AC
Current consumption in continuous light mode	90 mA	60 mA	55 mA	DC: 250 mA
Operating mode	continuous light	blinking light	flashing light	rotating all-round light
Flash rate of the main flash		1.5 Hz	1 Hz	2.5 Hz
Light source	LED; 8 x 2 pieces (3 chip version)			
Light intensity (DIN 5037) ¹	27 cd			
Max. viewing distance	120 m			
Beam angle	vertical approx. 16 °, horizontal 360 °			
Operating temperature	–30 °C ... +55 °C			
Storage temperature	–40 °C ... +70 °C			
Relative humidity	90 %			
Protection system (EN 60529)	IP 55 (vertical mounting)			
Service life of the light source	>50,000 hrs			
Material	lens	 polycarbonate (PC), fresnel characteristic		
	housing	bracket mounting: polycarbonate (PC) / direct mounting: acrylonitrile butadiene styrene (ABS)		
Cable entry	bracket mounting	M20x 1.5		
Connecting terminal	cage clamp 0.08–2.5 mm ²			
Weight	direct mounting: 620 g / bracket mounting: 900 g			

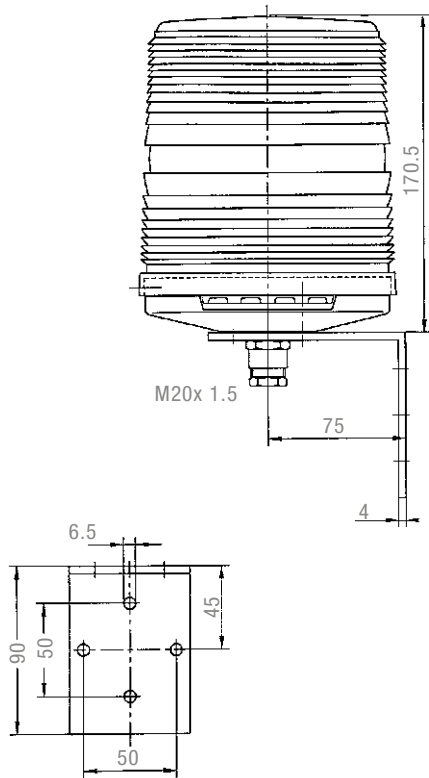
¹ with a clear lens

ARTICLE NO.	PMF-LED Flex direct mounting		PMF-LED Flex bracket mounting	
	115/230 V AC	24 V AC/DC	115/230 V AC	24 V AC/DC
	21151644006	21151634006	21151644007	21151634007
	21151645006	21151635006	21151645007	21151635007

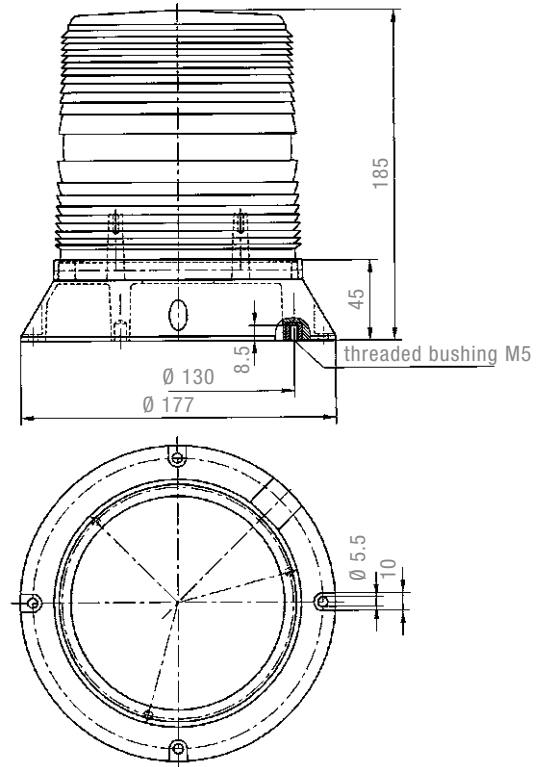
Article numbers for other colours on request.

DIMENSIONS

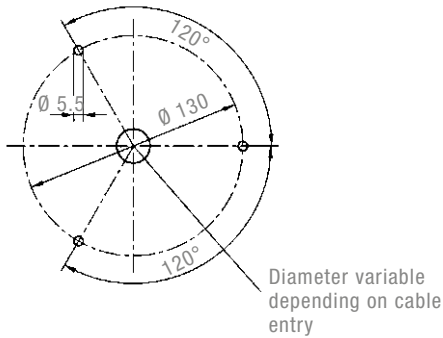
bracket mounting



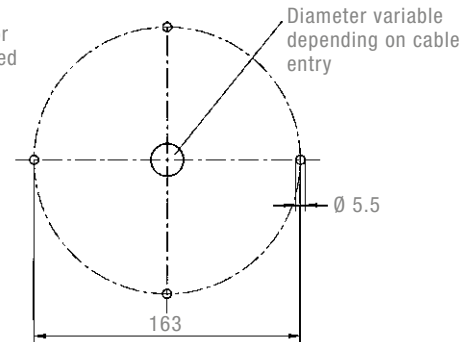
direct mounting



Drilling template 1 for M5 threaded bushing



Drilling template 2



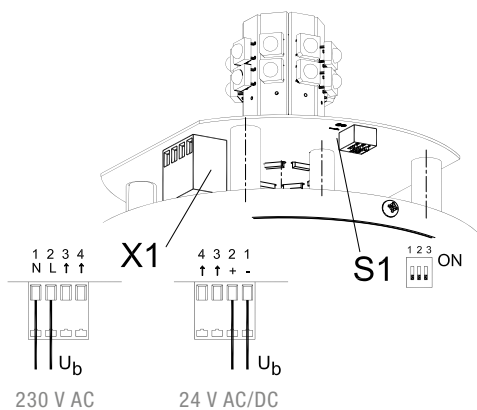
Two different drilling templates are available for fixing the light (direct mounting). M5x 8 threaded bushes are set into the base of the light for fixing according to drilling template 1. Drilling template 2 allows the light to be fixed using 4 through bolts or similar from above.

OPERATING MODES

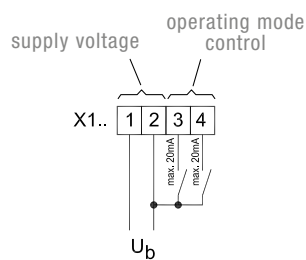
S1			Selection via internal DIP switch		S1 - X1 -					Selection via external control		S1 - X1 -					Selection via BAV option (24 V AC/DC only)	
1	2	3			1	1	2	3	4			1	1	2	3	4		
					(S1-2 = OFF, S1-3 = OFF)							(S1-2 = OFF, S1-3 = OFF)						
OFF	OFF	OFF	OFF		OFF	-/N	+/L			OFF (standby)		OFF	-/N			+/L	all-round light	2.5 Hz
OFF	OFF	ON	all-round light	2.5 Hz	OFF	-/N	+/L		+/L	all-round light	2.5 Hz	OFF	-/N		+/L		continuous light	
OFF	ON	OFF	continuous light		OFF	-/N	+/L	+/L		continuous light		OFF	-/N		+/L	+/L	blinking light	1.5 Hz
OFF	ON	ON	blinking light	1.5 Hz	OFF	-/N	+/L	+/L	+/L	blinking light	1.5 Hz	ON	-/N	+/L			flashing light	1 Hz
ON	OFF	OFF	flashing light	1 Hz	ON	-/N	+/L			flashing light	1 Hz	ON	-/N		+/L		all-round light	2.5 Hz
ON	OFF	ON	all-round light	2.5 Hz	ON	-/N	+/L		+/L	all-round light	2.5 Hz	ON	-/N		+/L		continuous light	
ON	ON	OFF	continuous light		ON	-/N	+/L	+/L		continuous light		ON	-/N		+/L	+/L	blinking light	1.5 Hz
ON	ON	ON	blinking light	1.5 Hz	ON	-/N	+/L	+/L	+/L	blinking light	1.5 Hz							

CONNECTION DIAGRAM

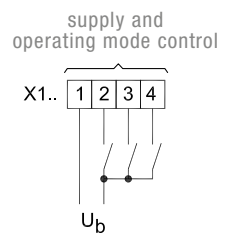
Selection via internal DIP switch



Selection via external control



Selection via BAV option



CONFORMITY TO STANDARDS

The visual characteristics of LED lights conform to the European standard DIN EN 842; “**Machine safety – visual alarm signals**”. Requirements contained in the DIN EN 981 standard; “**Machine safety – system of acoustic and visual alarm and information signals**”, can be fulfilled.

The colours “red” for the emergency signal and “yellow” for the warning signal conform to the requirements of IEC 73 / DIN EN 60073 / VDE 0199; “**Coding of display devices and control elements using colours and supplementary means**”.

References to visual alarm devices can be found in the following standards:

EN 60825-1	Radiation safety of laser devices, identical to IEC 825 and DIN-VDE 0837
DIN EN 54	Fire alarm systems
DIN 54113-2	Radiation protection regulations for the technical operation of X-ray equipment up to 500 kV