

PYRA FLASHING LIGHT 5 J PY X-M-05



- Safe – an incorrect installation is virtually impossible.
- Easy – significantly shorter assembly and installation times.
- Economical – largest possible signaling range due to effective Xenon technology.
- Installation options with external lugs or internal holes.
- Choice of 4 different flash rates via DIP switch.
- Suitable for panel mounting.
- Electronic constant current regulation at 24 V AC/DC devices to avoid load fluctuations.
- Integrated inrush current limitation and undervoltage detection (option).
- Providing full synchronisation on multi-flashing light systems.



protection system



impact-proof housing



operating temperature



SSM version



SSM version



warranty

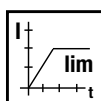


PRODUCT PY X-M-05

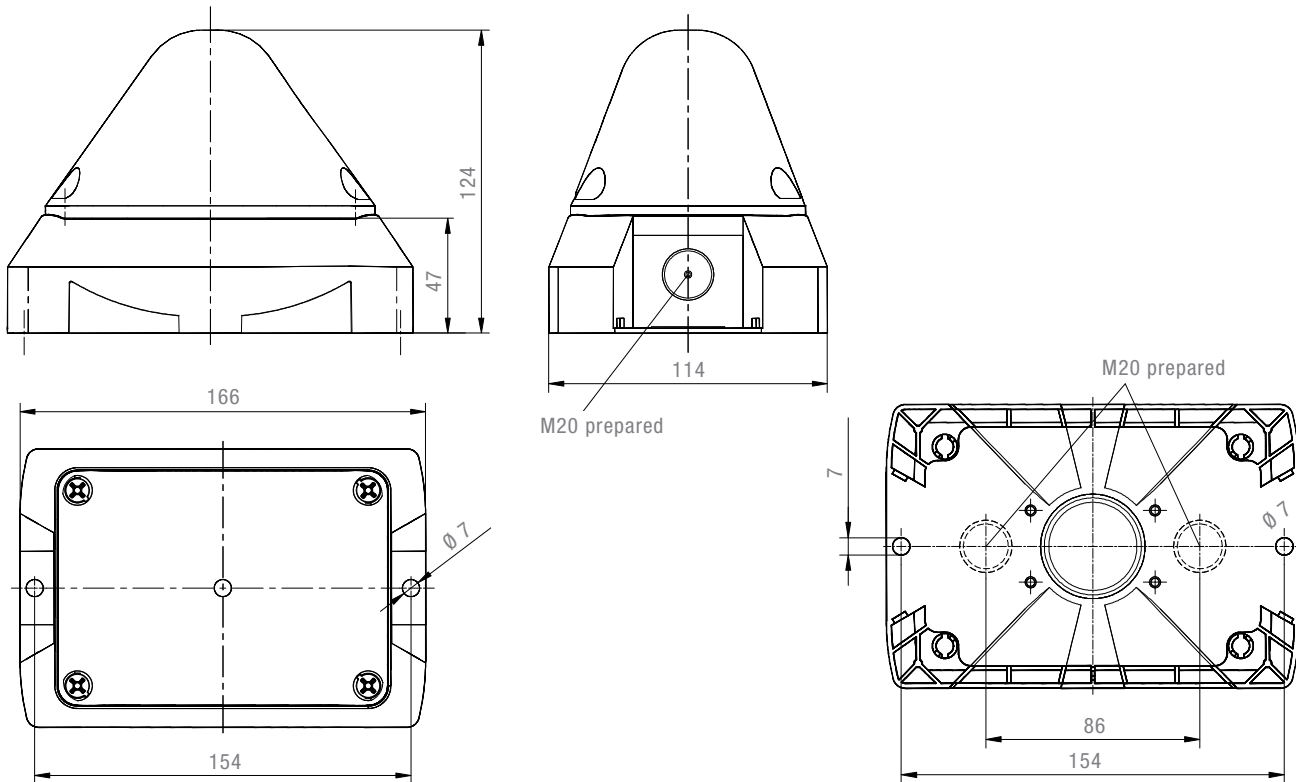
PRODUCT		PY X-M-05		
DATA				
Rated voltage	230 V	115 V	12 / 24 / 48 V DC / 24 V AC	
	AC 50 60 Hz	AC 50 60 Hz	AC 50 60 Hz / DC	
Operating range	187–255 V	90–135 V	AC: 18–30 V DC: 10–57 V	
Nominal current consumption @ 1 Hz	60 mA	110 mA	AC: 600 mA DC: 280 mA @ 24 V	
Flash rate	0.1 / 0.5 / 0.75 / 1 Hz (DIP switch)			
Flash energy	5 J			
Light intensity (DIN 5037) ¹	56 cd			
Max. viewing distance	173 m			
Operating temperature	–40 °C ... +55 °C			
Storage temperature	–40 °C ... +70 °C			
Relative humidity	max. 90 %			
Protection system (EN 60529)	IP 66			
Protection class	II			
Duty cycle	100 %			
Service life of the light source	light emission still 70 % after 8,000,000 flashes			
Material	lens	/ / / / / / polycarbonate (PC)		
	housing	PC / ABS		
Housing colour	RAL3000 (flame red) / RAL 7035 (light grey) / RAL 9003 (signal white)			
Cable entry	2x M20 sideways, 2x M20 bottom side			
Integrated seal with cable entry	6–13 mm			
Connecting terminal	2.5 mm ² fine wire, AWG 16			
Weight	400 g	400 g	420 g	

¹ with a clear lens

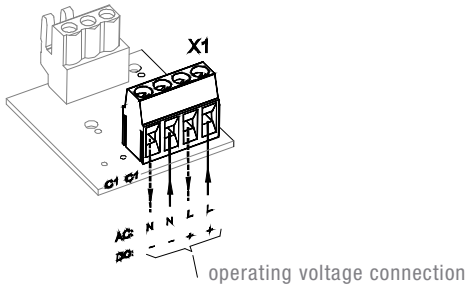
OPTIONS/ACCESSORIES



DIMENSIONS



CONNECTION DIAGRAM



EN 54-23

ARTICLE NO.		PY X-M-05			PY X-M-05 SSM
HOUSING COLOUR	LENS COLOUR	230 V AC	115 V AC	12/24/48 V DC/ 24 V AC	24 V DC
●	/	21550101000	21550151000	21550811000	21550801005
●	●	21550103000	21550153000	21550813000	-
●	●	21550105000	21550155000	21550815000	21550805005
●	/	21550101055	21550151055	21550811055	21550801061
●	●	21550103055	21550153055	21550813055	-
●	●	21550105055	21550155055	21550815055	21550805061

Article numbers for other colours and voltages on request.

CONFORMITY TO STANDARDS

The visual characteristics of flashing lights conform to the European standard DIN EN 842; “Machine safety – visual alarm signals”. Requirements contained in the DIN EN 981 standard; “Machine safety – system of acoustic and visual alarm and information signals”, can be fulfilled. The colours “red” for the emergency signal and “yellow” for the warning signal conform to the requirements of IEC 73 / DIN EN 60073 / VDE 0199; “Coding of display devices and control elements using colours and supplementary means”.
References to visual alarm devices can be found in the following standards:
EN 60825-1 Radiation safety of laser devices, identical to IEC 825 and DIN-VDE 0837
DIN EN 54 Fire alarm systems
DIN 54113-2 Radiation protection regulations for the technical operation of X-ray equipment up to 500 kV