

Fiberglass Screw Cover Junction Enclosures

Application -

Designed for indoor or outdoor use to house electronic controls, instruments and components in areas that may be regularly hosed down, are in very wet conditions, or are exposed to corrosive agents. Provides protection from dust, dirt, oil and water.

Construction -

- Fiberglass reinforced compression molded polyester.
- Continuous memory retaining gasket.
- Mounting strips molded in.
- Captive screw fasteners.
- Integral panel mounting inserts.
- Stainless steel continuous hinge.

Finish -

Light gray fiberglass. Optional sub-panels are marine grade aluminum.

IS5 - Industry Standards -

NEMA Type 4, 4X, 12 & Type 13
UL Listed Type 4, 4X & 12
CSA Type 4, 4X & 12
IEC 60529 IP66



FIBERGLASS SCREW COVER JUNCTION ENCLOSURES

ENCLOSURE PRODUCT CODE F1										
Catalog No.	Height (A)	Width (B)	Depth (C)	Mounting (G)	Mounting (H)	Interior (J)	Interior (K)	Interior (L)	Industry Standard	List Price
SCE-604FG	7.39	5.45	4.75	6.75	2.00	5.84	3.85	4.00	IS5	114.93
SCE-606FG	7.53	7.53	4.75	6.75	4.00	5.72	5.72	4.00	IS5	131.74
SCE-806FG	9.56	7.52	4.75	8.88	4.00	7.73	5.74	4.00	IS5	136.10
SCE-808FG	9.38	9.38	4.88	8.75	6.00	7.73	7.73	4.06	IS5	149.83
SCE-1008FG	11.35	9.41	4.25	10.75	6.00	9.73	7.73	3.50	IS5	154.47
SCE-10086FG	11.38	9.38	5.08	10.75	6.00	9.73	7.73	4.37	IS5	159.75
SCE-1210FG	13.41	11.43	5.21	12.75	8.00	11.79	9.80	4.50	IS5	164.72
SCE-1212FG	13.38	13.38	6.35	12.75	10.00	11.70	11.70	5.53	IS5	197.63
SCE-1407FG	15.75	8.75	6.81	15.00	5.00	14.00	7.00	6.12	IS5	212.88
SCE-1412FG	15.48	13.48	6.21	14.62	10.00	13.53	11.55	5.37	IS5	209.77
SCE-1614FG	17.47	15.46	6.23	16.75	12.00	15.63	13.60	5.36	IS5	241.00
SCE-1816FG	19.61	17.61	8.82	18.88	12.00	17.69	15.69	7.99	IS5	319.30
SCE-2016FG	21.68	17.69	8.84	21.25	10.00	19.72	15.72	8.00	IS5	551.00

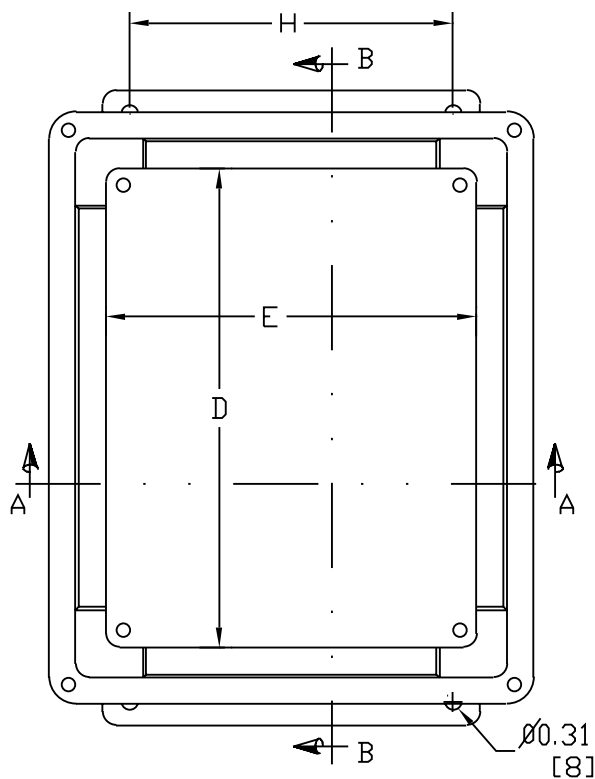
SUB-PANELS (F2)			
Catalog No.	Panel Height (D)	Panel Width (E)	List Price
SCE-6P4AL	5.00	3.00	15.35
SCE-6P6AL	5.00	5.00	15.58
SCE-8P6AL	7.00	5.00	18.82
SCE-8P8AL	7.00	7.00	23.62
SCE-10P8AL	9.00	7.00	25.38
SCE-12P10AL	11.00	9.00	25.99
SCE-12P12AL	11.00	11.00	27.68
SCE-14P8AL	13.00	7.00	28.39
SCE-14P12AL	13.00	11.00	36.87
SCE-16P14AL	15.00	13.00	46.72
SCE-18P16AL	16.88	14.88	55.53
SCE-20PJ16AL	18.88	14.88	65.28

Phone (989) 799-6871
Fax (989) 799-4524

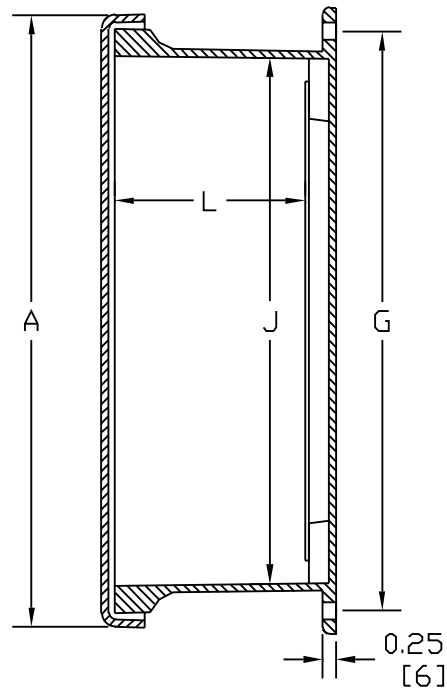


FIBERGLASS SCREW COVER JUNCTION ENCLOSURES

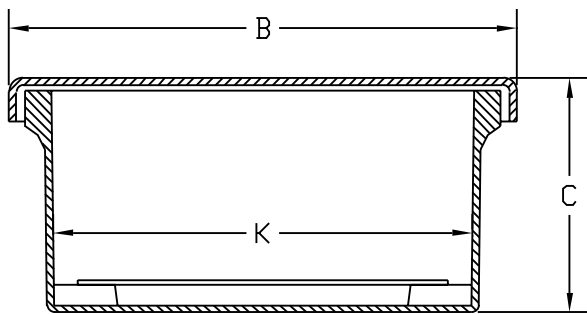
TECHNICAL DATA



FRONT VIEW WITH COVER REMOVED



SECTION B-B



SECTION A-A