

Fiberglass Junction Enclosures With Window

Application -

Designed for indoor or outdoor use to house electronic controls, instruments and components in areas that may be regularly hosed down, are in very wet conditions, or are exposed to corrosive agents and require unrestricted viewing of gauges or controls. Provides protection from dust, dirt, oil and water.

Construction -

- Fiberglass reinforced compression molded polyester.
- Continuous memory retaining gasket.
- Mounting strips molded in.
- Quick release padlock latch.
- Integral panel mounting inserts.
- Stainless steel continuous hinge.
- UVA acrylic bonded polycarbonate window.

Finish -

Light gray fiberglass. Optional sub-panels are marine grade aluminum.

IS5 - Industry Standards -

NEMA Type 4, 4X, 12 & Type 31
UL Listed Type 4, 4X & 12
CSA Type 4, 4X & 12
IEC 60529 IP66



FIBERGLASS JUNCTION ENCLOSURES WITH WINDOW

ENCLOSURE PRODUCT CODE F1

Catalog No.	Height (A)	Width (B)	Depth (C)	Mounting (G)	Mounting (H)	Interior (J)	Interior (K)	Interior (L)	Industry Standard	List Price
SCE-604FW	7.39	5.45	4.73	6.75	2.00	5.84	3.85	4.00	IS5	219.77
SCE-606FW	7.53	7.53	4.72	6.75	4.00	5.72	5.72	4.00	IS5	232.73
SCE-806FW	9.52	7.52	4.71	8.88	4.00	7.73	5.74	4.00	IS5	241.49
SCE-808FW	9.38	9.38	4.88	8.75	6.00	7.73	7.73	4.06	IS5	252.62
SCE-1008FW	11.35	9.41	4.25	10.75	6.00	9.73	7.73	3.50	IS5	276.21
SCE-10086FW	11.38	9.37	5.08	10.75	6.00	9.73	7.73	4.37	IS5	289.96
SCE-1210FW	13.41	11.43	5.21	12.75	8.00	11.79	9.80	4.50	IS5	320.36
SCE-1212FW	13.38	13.38	6.34	12.75	10.00	11.70	11.70	5.53	IS5	307.76
SCE-1407FW	15.75	8.75	6.81	15.00	5.00	14.00	7.00	6.12	IS5	448.59
SCE-1412FW	15.48	13.48	6.21	14.62	10.00	13.53	11.55	5.37	IS5	441.58
SCE-1614FW	17.47	15.46	6.23	16.75	12.00	15.63	13.60	5.36	IS5	505.54
SCE-1816FW	19.61	17.61	8.82	18.88	12.00	17.69	15.69	7.99	IS5	620.64
SCE-2016FW	21.68	17.68	8.81	21.25	10.00	19.72	15.72	8.00	IS5	1002.57

SUB-PANELS (F2)

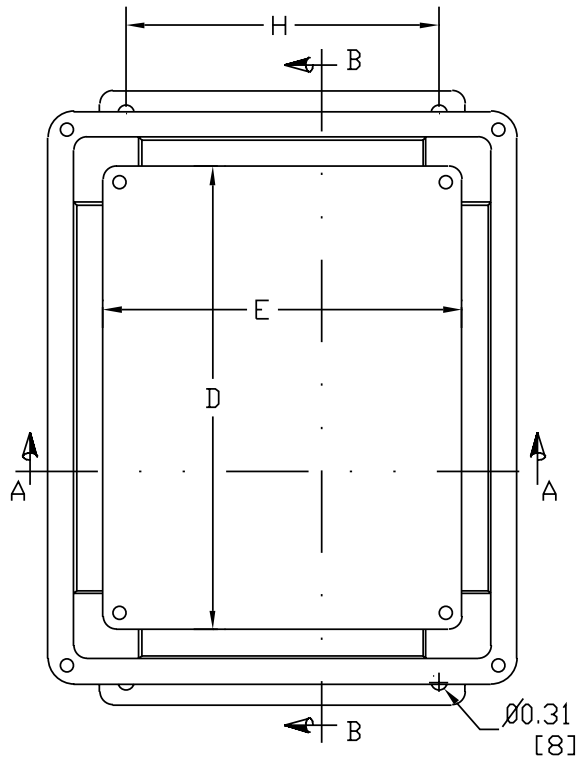
Catalog No.	Panel Height (D)	Panel Width (E)	List Price
SCE-6P4AL	5.00	3.00	15.35
SCE-6P6AL	5.00	5.00	15.58
SCE-8P6AL	7.00	5.00	18.82
SCE-8P8AL	7.00	7.00	23.62
SCE-10P8AL	9.00	7.00	25.38
SCE-12P10AL	11.00	9.00	25.99
SCE-12P12AL	11.00	11.00	27.68
SCE-14P8AL	13.00	7.00	28.39
SCE-14P12AL	13.00	11.00	36.87
SCE-16P14AL	15.00	13.00	46.72
SCE-18P16AL	16.88	14.88	55.53
SCE-20P16AL	18.88	14.88	65.28

Phone (989) 799-6871
Fax (989) 799-4524

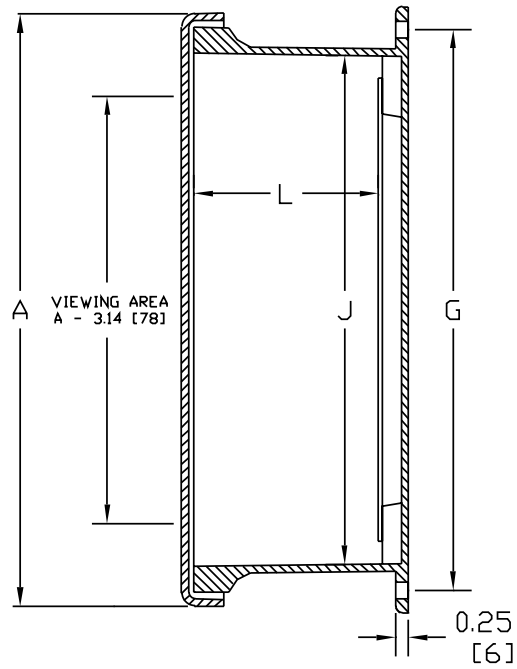


FIBERGLASS JUNCTION ENCLOSURES WITH WINDOW

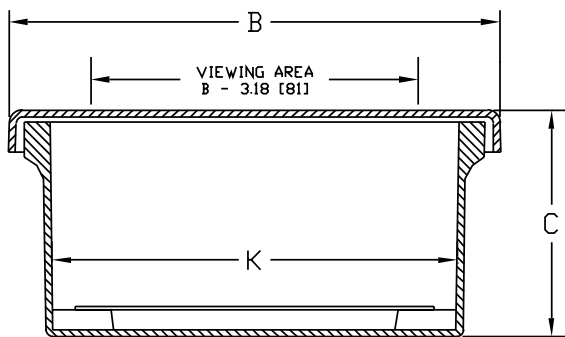
TECHNICAL DATA



FRONT VIEW WITH COVER REMOVED



SECTION B-B



SECTION A-A